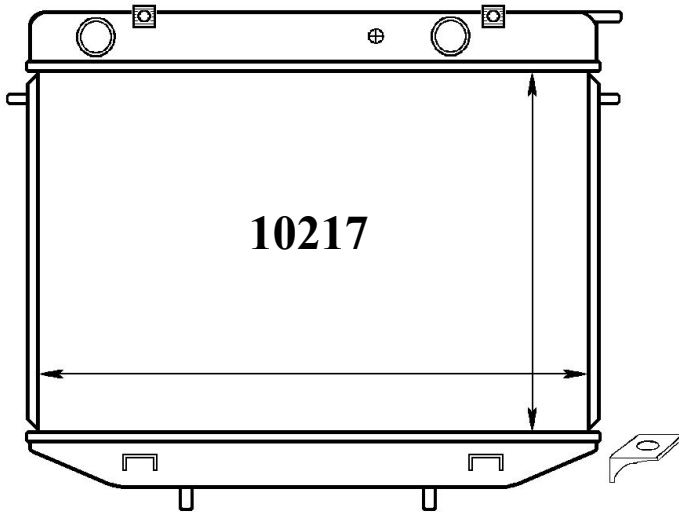
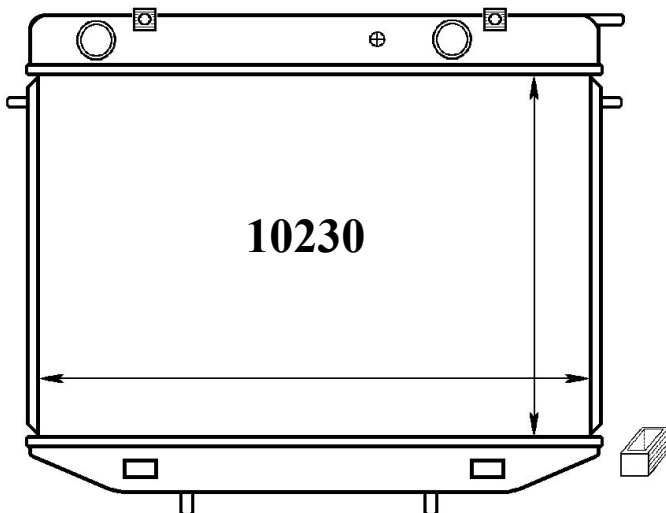


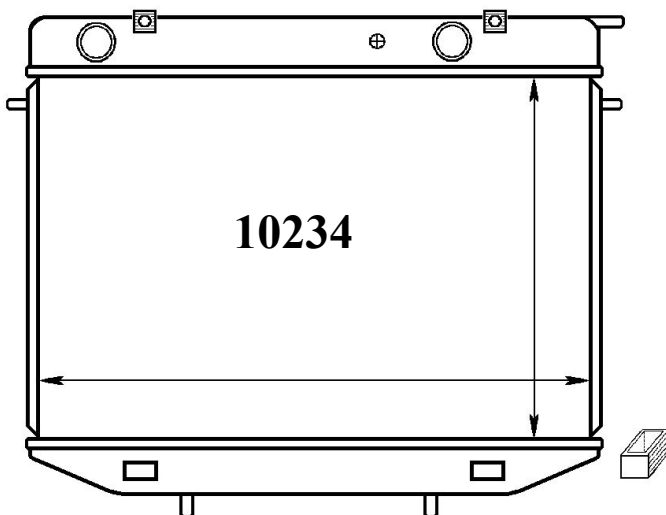
Vauxhall-Opel Frontera Radiators Information
Manufactured by G&M—Plastic Tank—Copper/
Brass Cores



Core: 420 x 590 x 2X (31mm)
M22 Blanking plug fitted in top tank
Fan cowl brackets on bottom tank
have round hole



Core: 420 x 590 x 3X (47mm)
M22 Blanking plug fitted in top tank
Fan cowl brackets on bottom tank
have rectangular hole



Core: 420 x 590 x 2X (31mm)
M22 Blanking plug fitted in top tank
Fan cowl brackets on bottom tank
have rectangular hole